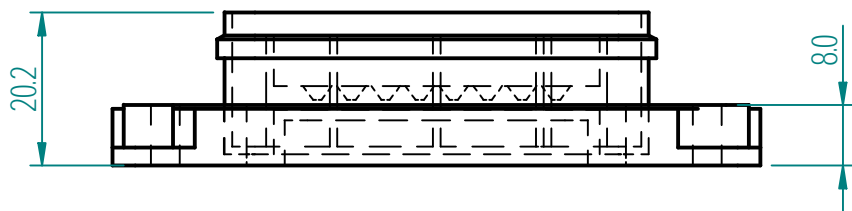
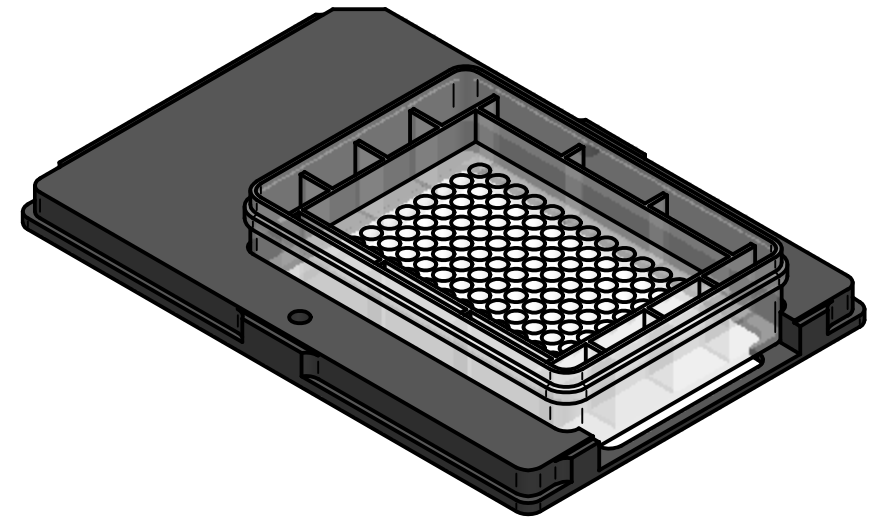
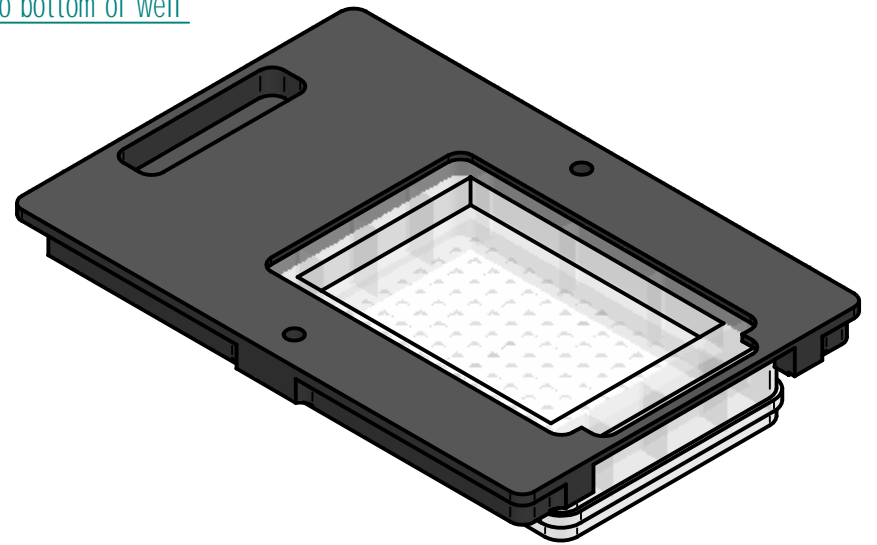
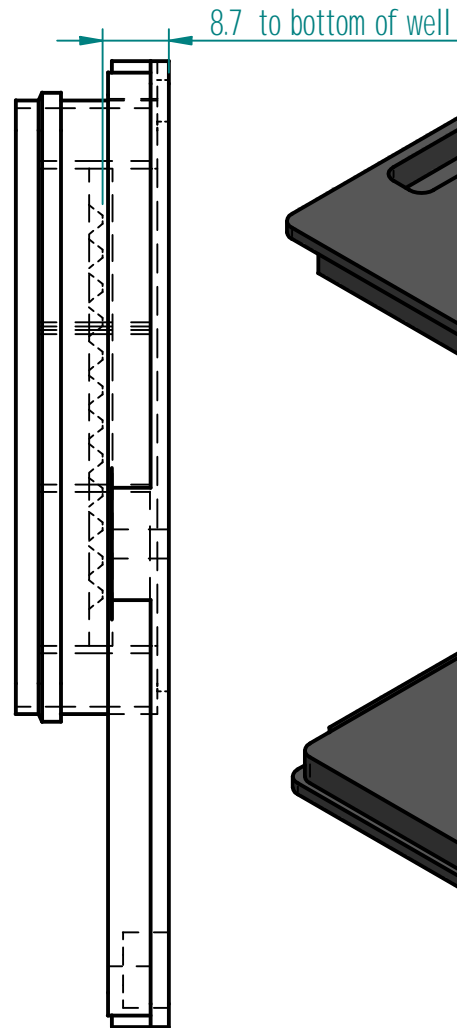
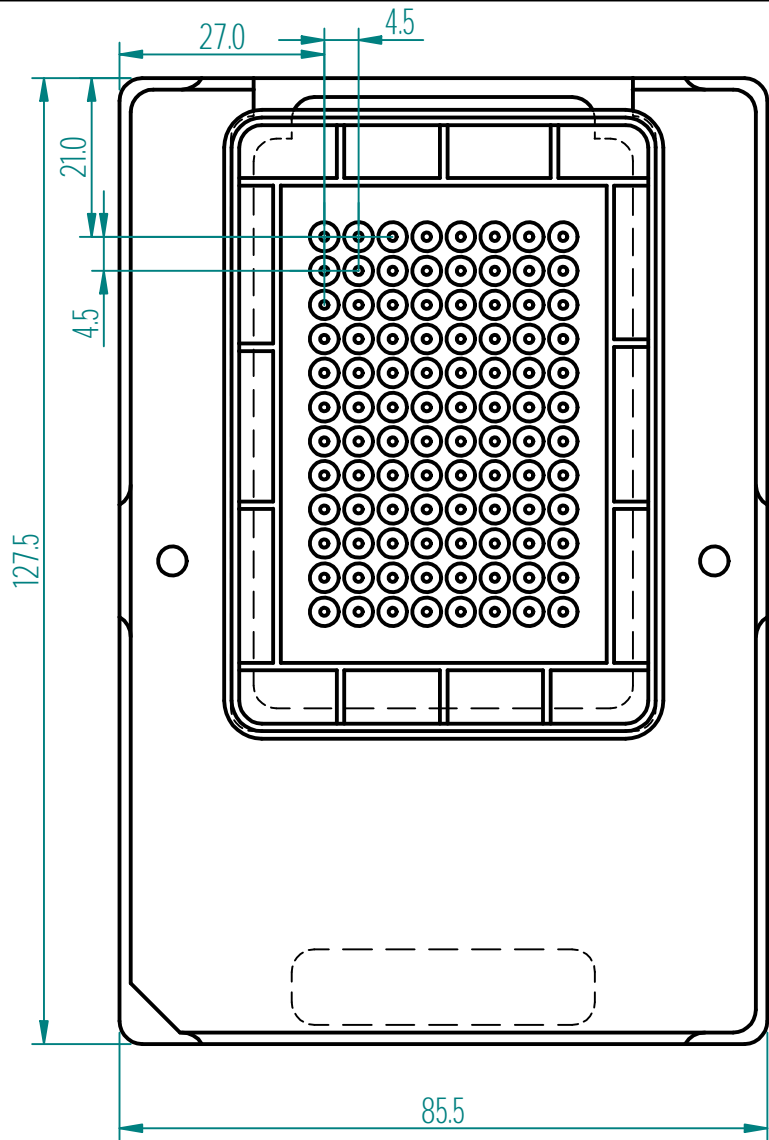


DATE	Description	REV	DOUGLAS INSTRUMENTS LTD		
13-05-08	New Drawing	1.0	TITLE		
			VB Plate Dimensions		
			SIZE	DWG NO	REV
			A4	VB Plate Dim	1.0
UNLESS OTHERWISE SPECIFIED DIMENSIONS ARE IN MILLIMETERS ANGLES $\pm 0.5^\circ$ 1 PL ± 0.1 2 PL ± 0.05			FILE NAME: VB Plate Dim.dft		
			SCALE:	DATE: 13/05/08	SHEET 1 OF 1



DATE	Description	REV	DOUGLAS INSTRUMENTS LTD		
13-05-08	New Drawing	1.0	TITLE VB Adaptor and Plate		
			SIZE A4	DWG NO VBAdapt Asm	REV 1.0
UNLESS OTHERWISE SPECIFIED DIMENSIONS ARE IN MILLIMETERS ANGLES $\pm 0.5^\circ$ 1 PL ± 0.1 2 PL ± 0.05			FILE NAME: VB Adaptor + VB Plate.dft		
			SCALE:	DATE: 13/05/08	SHEET 1 OF 1